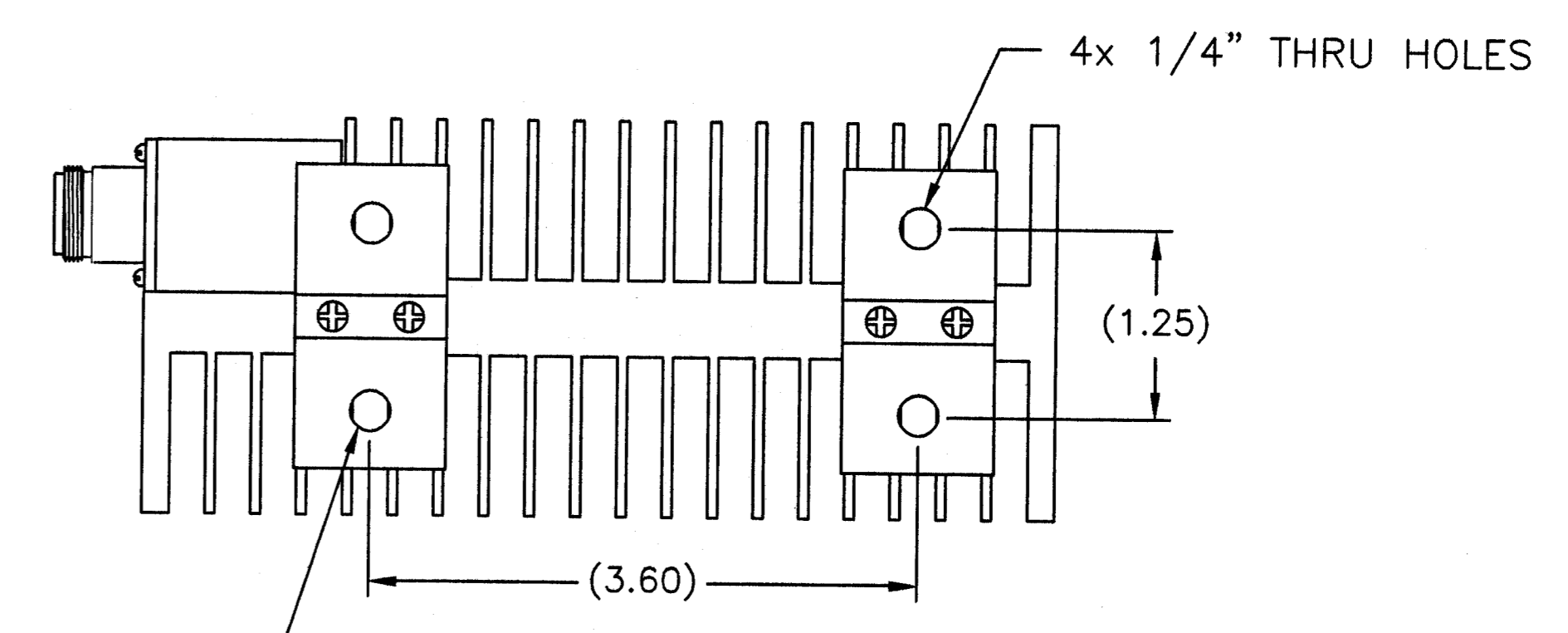
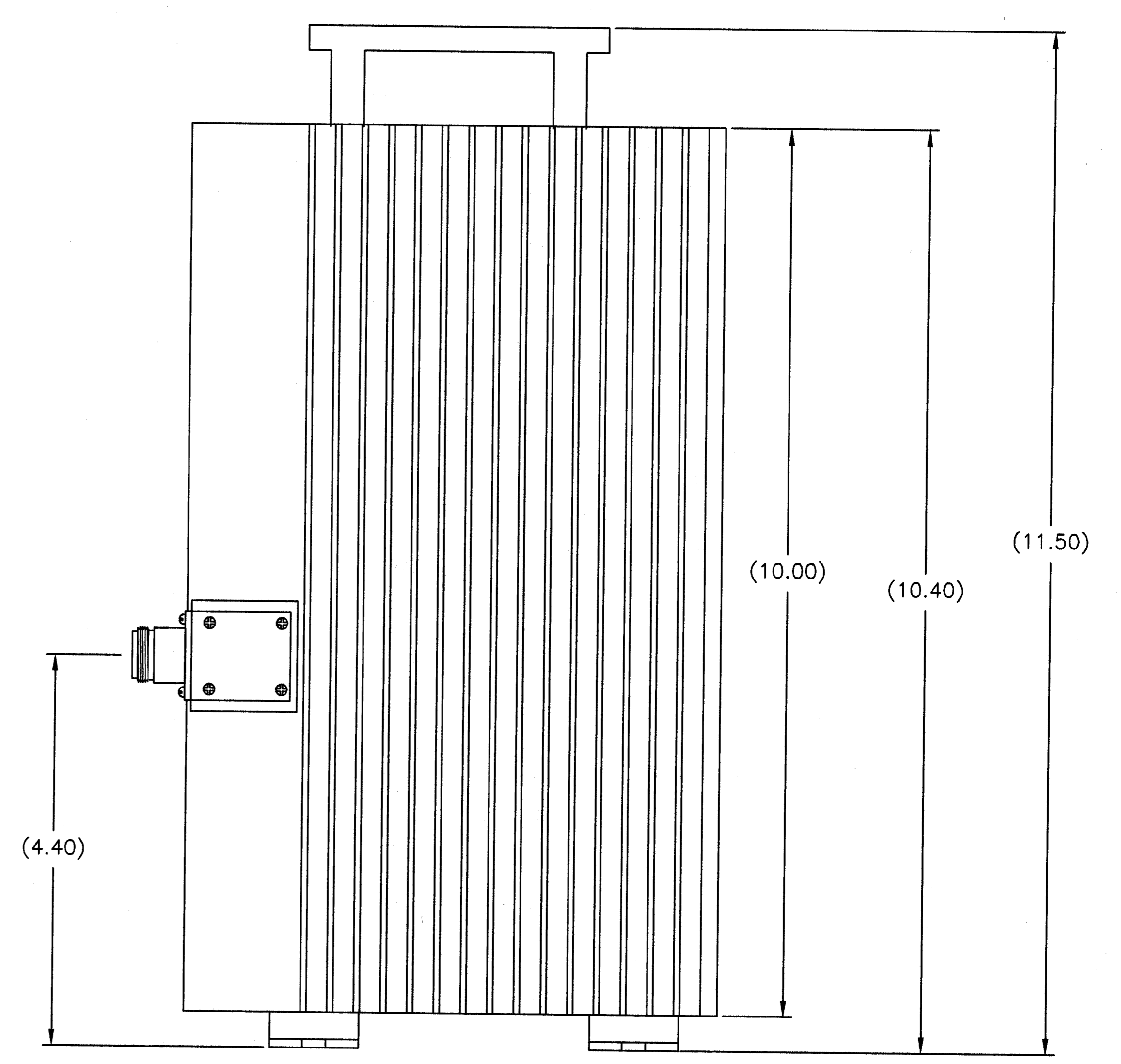
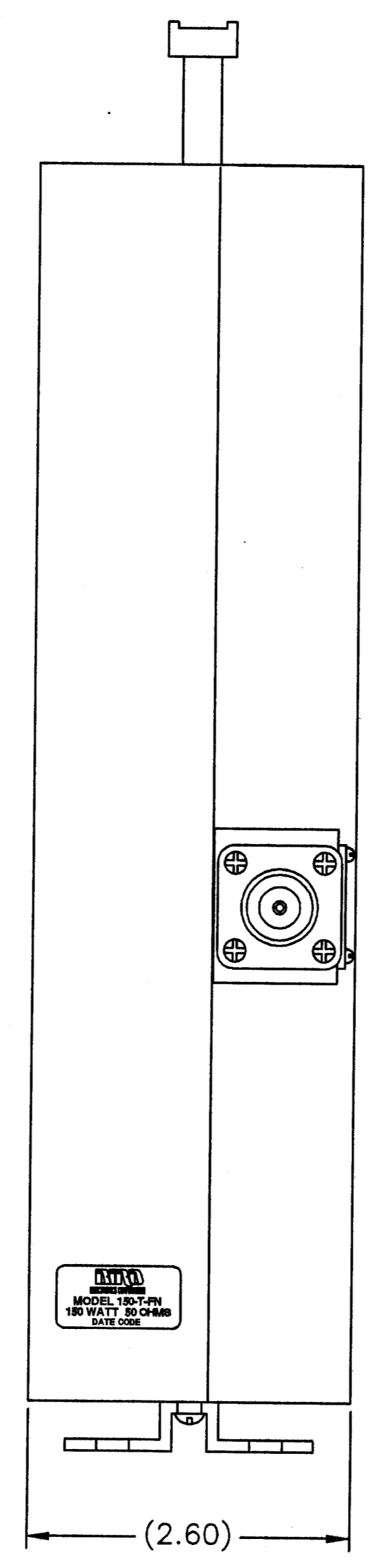
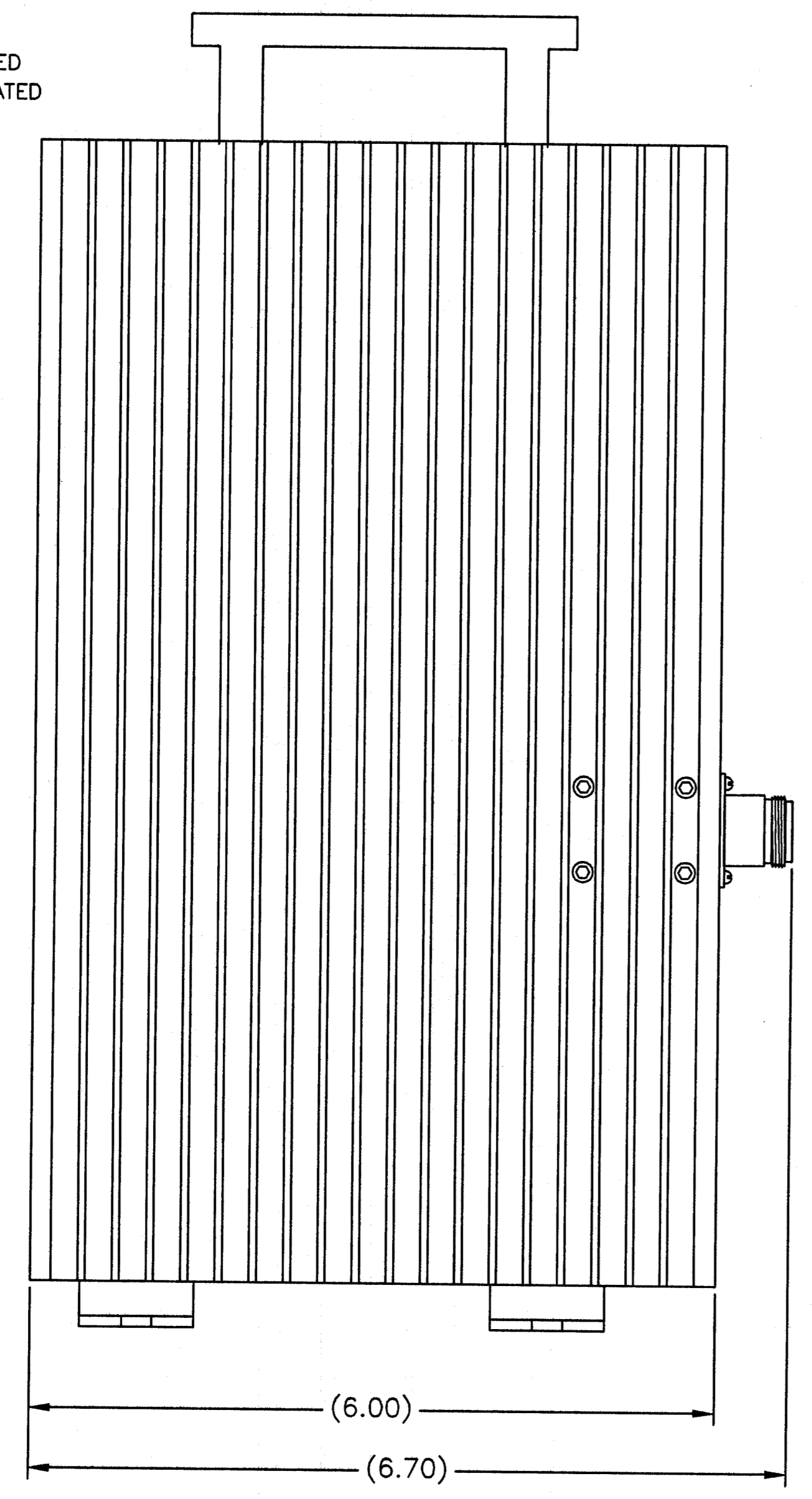


IMPEDANCE: 50 OHMS NOMINAL
 FREQUENCY RANGE: DC TO 2.4GHz
 VSWR: 1.10:1 DC TO 1 GHz
 1.25:1 1 GHz TO 2.4GHz
 POWER RATING: 150 WATTS MAX. @ 40°C.
 180 WATTS MAX. @ 25°C.
 COOLING FIN: ALUMINUM, BLACK ANODIZED
 HEAT SPREADER: ALUMINUM, TRI-ALLOY PLATED
 CONNECTOR: N-TYPE FEMALE, TRI-ALLOY PLATED

REVISIONS				
ZONE	REV	DESCRIPTION	DATE	APPROVED
A	ECN #0264		9-14-00	<i>me</i>



OTHER MOUNTING PATTERNS AVAILABLE ON SPECIAL REQUEST

DIMENSIONS HEREON ARE FOR CUSTOMER CONVENIENCE AND REFERENCE ONLY. TOLERANCE TO BE APPLIED ONLY WHERE INDIVIDUALLY STATED ON THE RESPECTIVE DIMENSION. -DO NOT SCALE DRAWING-

<small>UNLESS OTHERWISE SPECIFIED DIMENSIONS ARE IN INCHES TOLERANCES ARE:</small> FRACTIONS: ± 1/64 DECIMALS: ± 0.010 ANGLES: ± 30'		<small>MILLIMETERS</small> ± 0.12		<small>THIS DRAWING IS THE PROPERTY OF THE BIRD ELECTRONIC CORPORATION. THE DESIGNS AND SPECIFICATIONS DISCLOSED HEREON ARE PROPRIETARY AND SHALL NOT BE REPRODUCED, NOR COPIED NOR USED AS THE BASIS FOR THE MANUFACTURE OR SALE OF APPARATUS OR DEVICES WITHOUT THEIR EXPRESS WRITTEN CONSENT.</small>	
<small>DO NOT SCALE DRAWING</small>		<small>APPROVALS</small> DRAWN: D.M.RINK CHECKED: <i>MARLY</i> APPROVED: <i>MARLY</i>		<small>DATE</small> 11-8-00	
<small>TITLE</small> TERMINATION, CONVECTION COOLED, 150W		<small>SIZE FROM NO.</small> D 70998		<small>DWG. NO.</small> 150-T-FN	
<small>MATERIAL</small>		<small>SCALE</small> 1:1		<small>CONTR. CODE</small> LD1	
<small>FINISH</small>		<small>SHEET</small> 1 OF 1		<small>REV</small> A	

DWG. NO. 150-T-FN
 REV. A